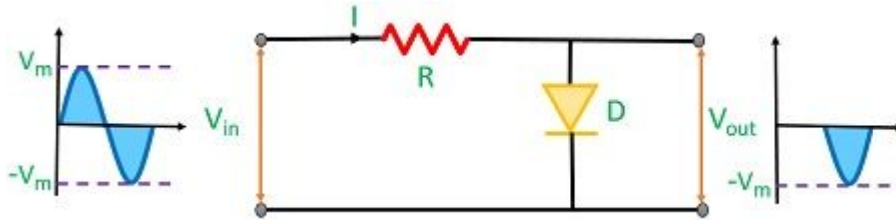


Clipper

Clipper circuits are the circuits that clip off or removes a portion of an input signal, without causing any distortion to the remaining part of the waveform.

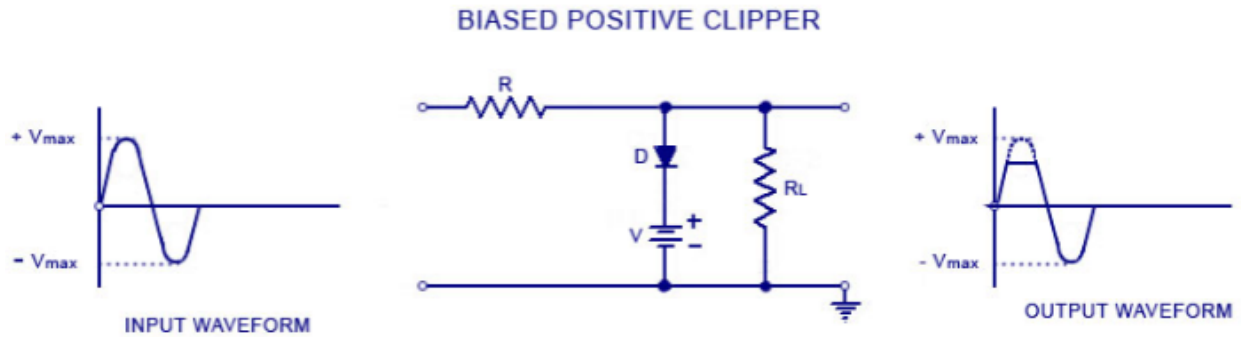
Depending the position of diode clipper circuit can be divided in two parts

i) Parallel clipper circuit: Here diode is connected with in parallel with the load



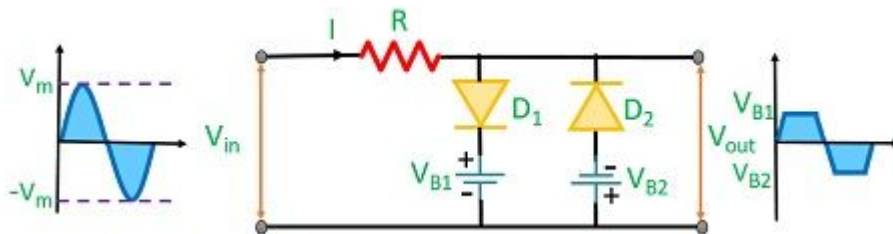
Positive parallel clipper circuit

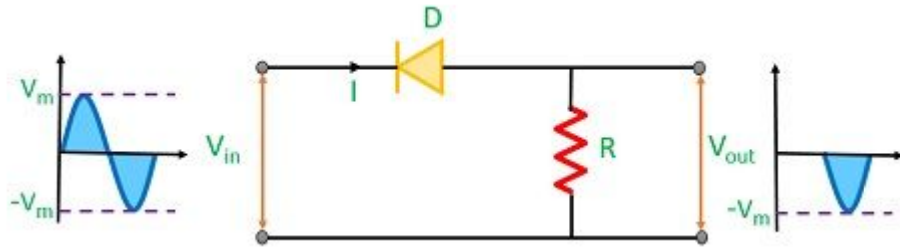
Similarly by reversing the direction we can create Negative parallel clipper circuit.



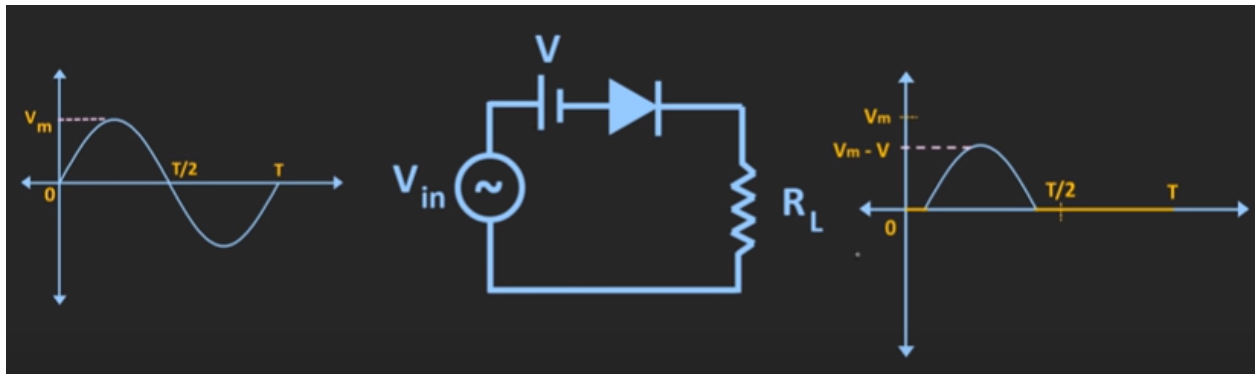
When $V_{in} > V$ Diode is ON

When $V_{in} < V$ Diode is OFF





Series positive clipper



Series clipper with biasing voltage

Diode will be on when $V_{in} - V > 0 = V_{in} > V$

